

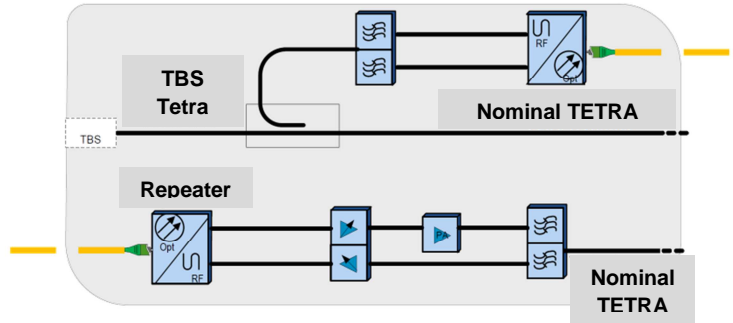
❖ General Description :

This equipment was made in order to insure a high availability for the TETRA radiocommunication continuity.

This redundancy plate has two functions very distinct:

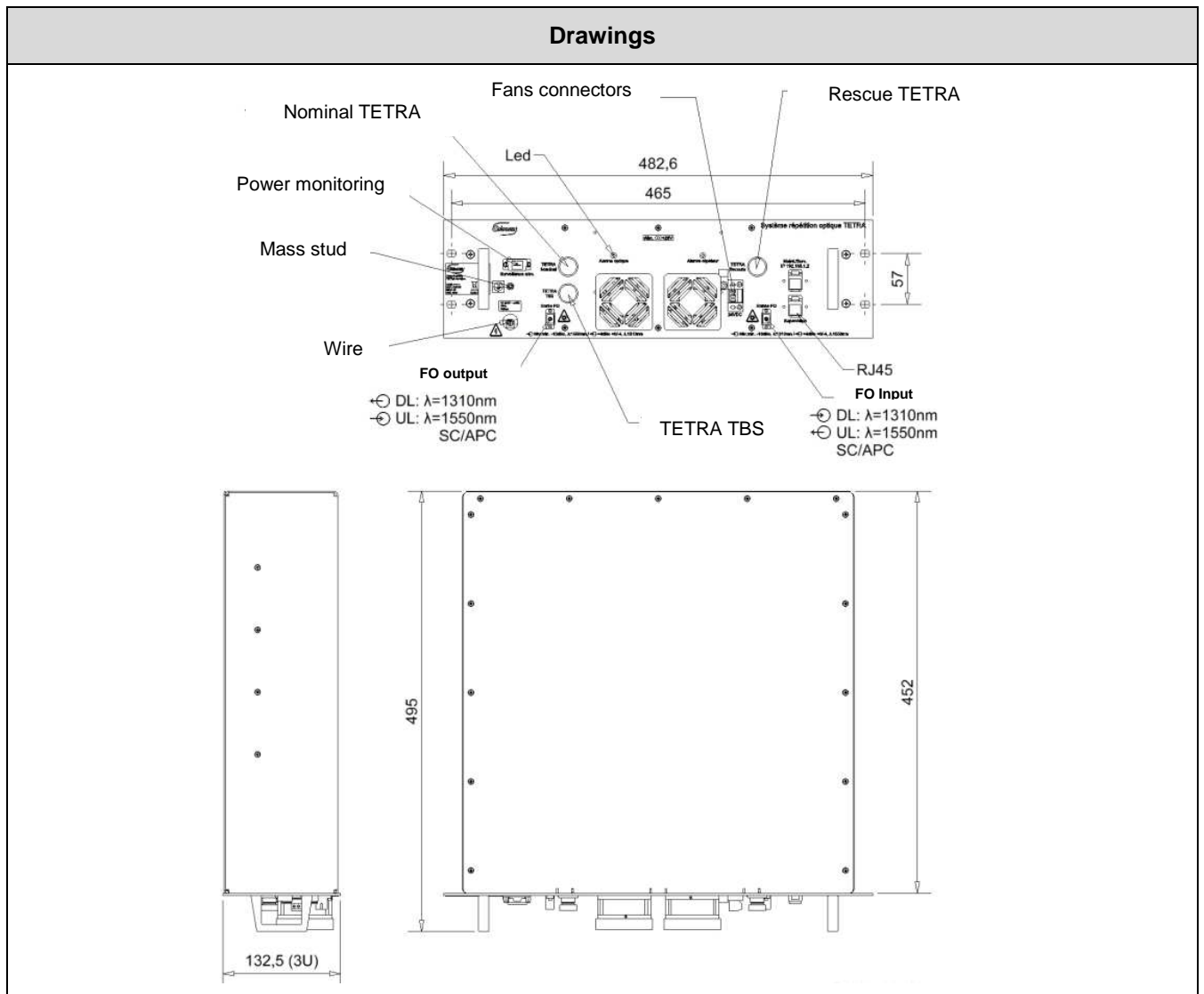
- ✓ Sampling + Master optical repeater
- ✓ Remote slave repeater

A power supply, a process control and a unique monitoring manage the equipment in its entirety via a HTML & SNMP server and a LED panel (on front part).



Characteristics	Specifications
Frequencies band TX	425 MHz – 430 MHz
Frequencies band RX	415 MHz – 420 MHz
✚ Optical repetition	
Power max	+37 dBm
Insertion loss main track	0 ,5 dB
VSWR/Adaptation	1.20 :1/20 dB
Connectors	Nf
✚ Repeater	
Nominal output power	+24 dBm @ 1 Carrier
Gain	Optical AGC and RF limiter to ensure rated power
IP3	> +51 dBm
Intermodulation	> 36 dBm
Group delay	< 1 μS
Connecteurs	Nf
✚ Optical	
Wavelength	TX =1310 nm/RX = 1550 nm
Optical output power	+4 dBo ± 2 dB
Optical connector	SC/APC
Fiber optic	SMF (G652 ET G655)
Number of optical connectors	2 (RX and TX on the same fiber)
Laser type	DFB
Optical noise (relative level)	-137 dBm/hZ

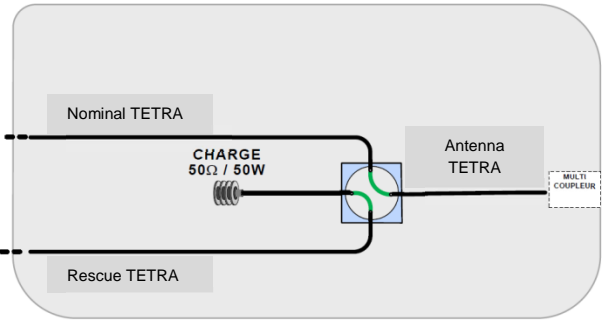
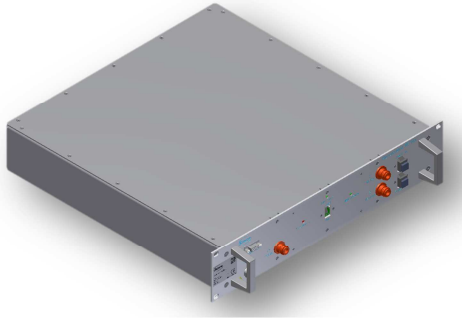
Electrical and mechanical characteristics	
Dimensions	Rack 19" x 3U X 452 mm
Weight	11.5 kg
Power supply	230 VAC \pm 15%/50 Hz
Consumption	80 W type./0.4 A
Cooling	Forced convection (2 fans)
Temperature range	-10°C à -55°C
Protection class	IP52 (indoor)
CEM	EN55-022 b class EN50082-2 EN50121-2
Vibrations and impacts	ETS 300 019.1-2



This document is the property of SELECOM. It may not be reproduced or communicated to third parties only with written permission of the Board or the Quality Department.

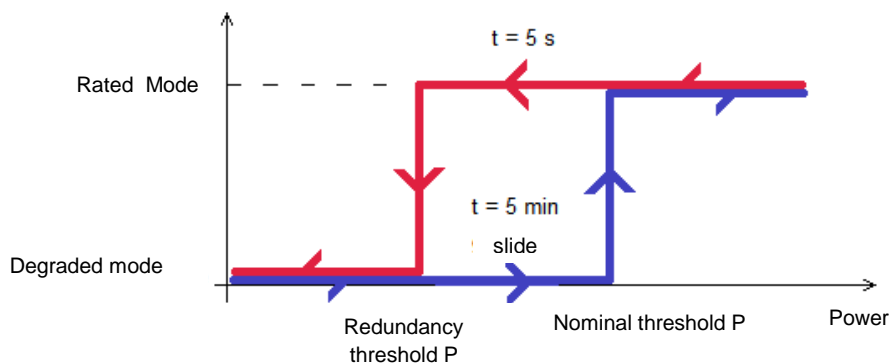
❖ **General Description :**

The redundancy plate for Radio TETRA was developed as a complement to the Optical Redundancy system plate (refer to the datasheet 010051) to toggle between the automatic (or manual) way from a nominal mode of the TETRA radio coverage to a standby mode. Consequently, this overall system allows to maintain the availability of a TETRA coverage when a BTS is out of order.



Characteristics	Specifications
Frequencies band	380 MHz – 520 MHz
Power max	+37 dBm
Loss insertion main track	0.5 dB
VSWR/Adaptation	1.20 :1/20 dB
Connectors	Nf

🚦 Redundancy parameters	
Redundancy threshold power	+10 dBm
Activitation time	5 s
Nominal threshold power	+15 dBm
Settling time BTS	5-minutes rolling



* These parameters can be modified via the supervision

Electrical and Mechanical Characteristics	
Dimensions	Rack 19" x 2U x 4452 mm
Weight	6.1 kg
Power supply	230 VAC ±15%/50 Hz
Electrical Consumption	25 W typ./0.1A
Cooling	Natural convection
Temperature range	-10°C à +55°C
Protection class	IP52 (indoor)
CEM	EN55-022 classe B EN50082-2 EN50121-2
Vibrations and impacts	ETS 300 019.1-2

